

# SINGLE PHASE VOLTAGE TRANSFORMERS



- **Indoor**
- **Primary voltage up to 2000V**
- **Measurement and protection**
- **Protected construction, with unbreakable bushing insulators**

Voltage transformers for the measurement of AC voltages up to 2000 V

## Technical data

Highest voltage for equipment	720 V
Power-frequency withstand voltage	3000 V
Primary voltage U <sub>pn</sub>	100 to 660 V
Secondary voltage U <sub>sn</sub>	100:√3 - 110:√3 - 100 - 110 V
Frequency	50 or 60 Hz
Rated output	5 to 1200 VA
Accuracy class	0.5 - 1 - 3
Thermal power	Up to 5000 VA
Insulation class	A
Ambient temperature	-25 °C to +40 °C
Standards	CEI 60044-2 - NF C42501 - VDE 0414 - BS 3941

## Other characteristics on request

Highest voltage for equipment	Up to 2400 V
Power-frequency withstand voltage	Up to 11 kV
Primary voltage U <sub>pn</sub>	5 to 2000 V
Secondary voltage U <sub>sn</sub>	5 to 2000 V
Frequency	5 to 10000 Hz
Accuracy class	0.1 - 0.2 - 3P - 6P
Primary or secondary taps	
Separate secondary windings	

## Accessories / Options

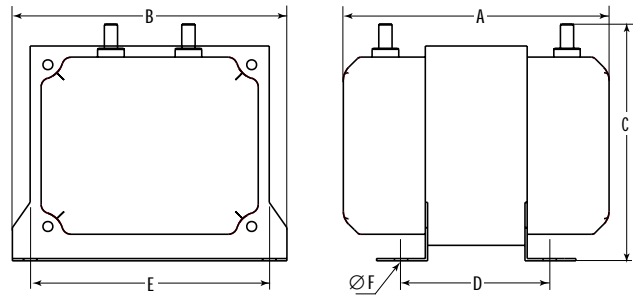
Sealable terminal cover  
 Shield  
 Tropicalization

# SINGLE PHASE VOLTAGE TRANSFORMERS

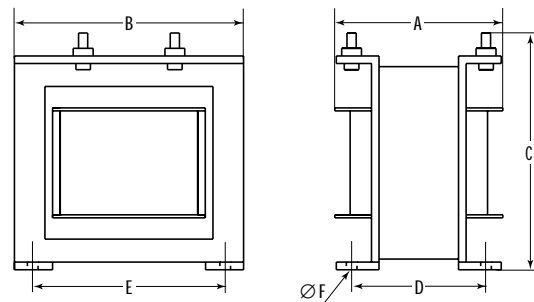
## Selection table

Type	Rated output maximum VA			Thermal output maximum VA
	cl 3	cl 1	cl 0.5	cl A
TP84-1	15	-	-	50
TP84-2	30	5	-	60
TP108-1	90	45	25	100
TP108-2	150	50	30	150
TP126-1	250	80	50	250
TP126-2	-	-	-	300
TP150-1	400	120	70	400
TP150-2	600	240	150	600
TP150-3	700	300	200	700
TP180-1	900	350	200	1000
TP180-2	1200	500	250	1250
TP232-1	-	-	-	3000
TP232-2	-	-	-	4000
TP232-3	-	-	-	5000

## TP84...TP180



## TP232



## Dimensions

Type	Weight kg	A mm	B mm	C mm	D mm	E mm	F mm
TP84-1	2.3	115	99	90	54	84	5.5
TP84-2	2.4	130	99	90	67	84	5.5
TP108-1	3.6	124	124	107	69	108	6
TP108-2	4.5	137	124	107	82	108	6
TP126-1	6.2	150	142	124	82	125	6
TP126-2	7.2	160	142	124	93	125	6
TP150-1	8	156	167	145	84	150	7
TP150-2	11	180	167	145	116	150	7
TP150-3	14	200	167	145	127	150	7
TP180-1	24	190	180	170	120	166	6
TP180-2	27	210	180	170	140	166	6
TP180-3	29	250	180	170	180	166	6
TP232-1	30	220	255	275	136	200	12
TP232-2	45	230	255	275	172	200	12
TP232-3	60	250	255	275	236	200	12

## Installation

When tightening connections, it is essential to block nut 1 when nut 2 is tightened to avoid breaking the winding wire.

